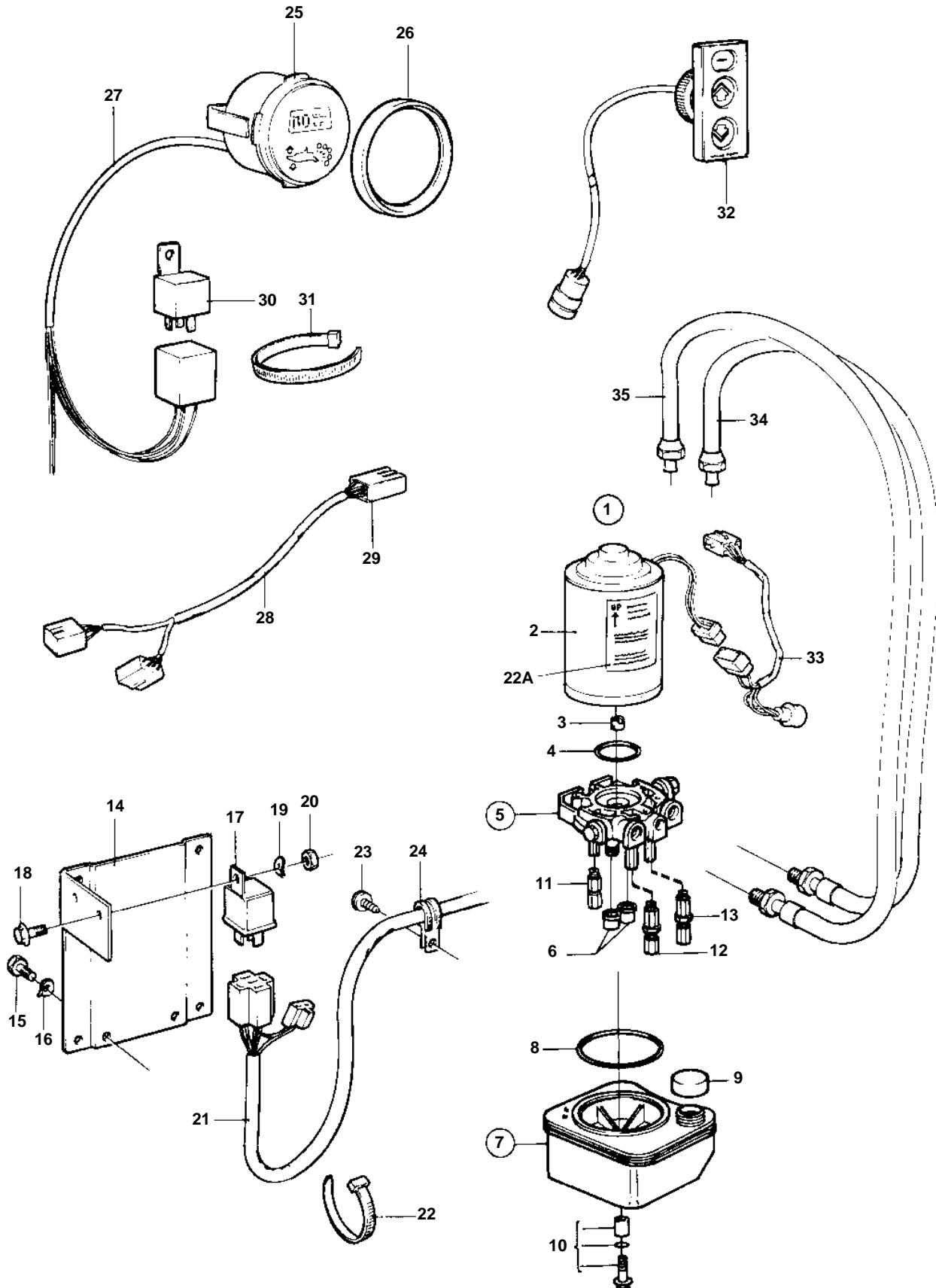


SP-C1, DP-D1



SP-C1, DP-D1

| REF | PART NO. | QTY | DESCRIPTION            | SEE SEC. | NOTES                          |
|-----|----------|-----|------------------------|----------|--------------------------------|
| 1   | 873051   | 1   | Hydraulic pump kit     |          |                                |
| 2   | 854525   | 1   | · Electrical motor     |          |                                |
| 3   | 854526   | 1   | · · Clutch             |          |                                |
| 4   | 854527   | 1   | · · O-ring             |          |                                |
| 5   | 854528   | 1   | · Valve housing        |          |                                |
| 6   | 854530   | 2   | · · Filter             |          |                                |
| 7   | 854531   | 1   | · Reservoir            |          |                                |
| 8   | 854532   | 1   | · · O-ring             |          |                                |
| 9   | 854533   | 1   | · · Cover              |          |                                |
| 10  | 854534   | 1   | · · Small parts kit    |          |                                |
| 11  | 854535   | 1   | · Relief unit          |          |                                |
| 12  | 873057   | 1   | · High pressure unit   |          |                                |
| 13  | 854537   | 1   | · Low pressure unit    |          |                                |
| 14  | 854438   | 1   | · Bracket              |          |                                |
| 15  | 970945   | 2   | · Screw                |          |                                |
| 16  | 941908   | 2   | · Spring washer        |          |                                |
| 17  | 854357   | 2   | · Relay                |          |                                |
| 18  | 948663   | 2   | · Screw                |          |                                |
| 19  | 941905   | 2   | · Spring washer        |          |                                |
| 20  | 955780   | 2   | · Nut                  |          |                                |
| 21  |          | X   | · Cables and terminals |          | SEE GROUP 30                   |
| 22  | 948210   | 1   | · Strip clamp          |          |                                |
| 22A | 853097   | 1   | · Sign                 |          |                                |
| 23  | 952630   | 4   | · Clamp                |          |                                |
| 24  | 955138   | 4   | · Screw                |          |                                |
| 25  | 872498   | 1   | Trim gauge             |          |                                |
| 26  | 858643   | 1   | Front ring             |          |                                |
| 27  | 856821   | 1   | Cable kit              |          |                                |
| 28  | 853066   | 1   | Cable trunk            |          | For double steering positions. |
| 29  |          | X   | · Cables and terminals |          | SEE GROUP 30                   |
| 30  | 872300   | 2   | Relay                  |          | 12V 30A                        |
| 31  | 949666   | X   | Strip clamp            |          |                                |
| 32  | 873617   | 1   | Control panel          |          | (853846)                       |
| 33  | 853032   | 1   | Cable trunk            |          |                                |
|     | 948294   | X   | · Receptacle housing   |          | 9-POLE                         |
|     | 965822   | X   | · Cable terminal       |          | 3,5x1x2,5                      |
|     | 853498   | X   | · Receptacle housing   |          | 3-POLE                         |
|     | 853521   | X   | · Cable terminal       |          | FOR 853498                     |
| 34  | 873228   | 1   | Hydraulic hose         | 592      |                                |
| 35  | 873229   | 1   | Hydraulic hose         | 592      |                                |